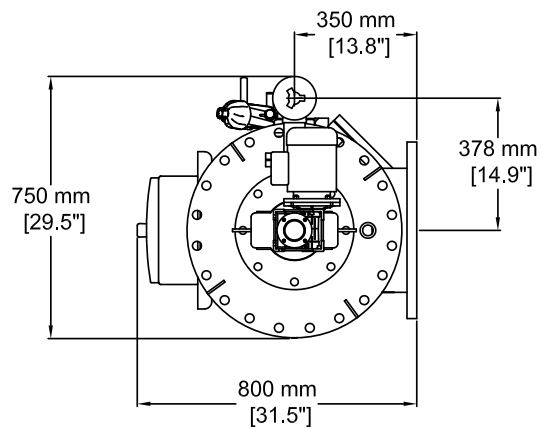


- Ⓐ **2" Drainage manifold**  
Colector drenaje 2"
- Ⓑ **14" Inlet manifold - DIN 2576 Flanged**  
Colector entrada 14" - Brida DIN 2576
- Ⓒ **14" Outlet manifold - DIN 2576 Flanged**  
Colector salida 14" - Brida DIN 2576



**AZUD**

SCALE  
S/E  
A4 FORMAT

**AZUD LUXON LDB 9800/14**

**AZUD LUXON LDB 9800 M/14**

RESPONS.: M. Martínez

REVISION: 05

UNITS: mm [in]

DATE: 13/04/2018