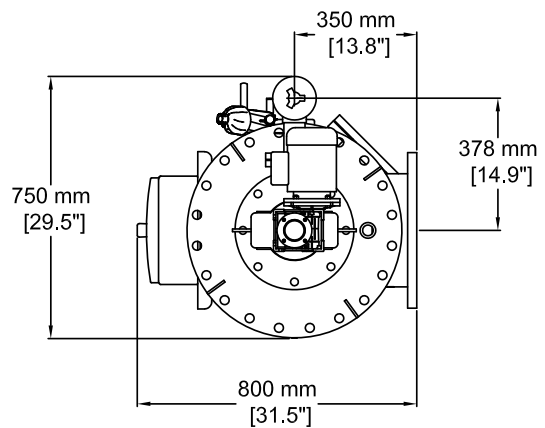


- Ⓐ **2" Drainage manifold**  
Colector drenaje 2"
- Ⓑ **12" Inlet manifold - DIN 2576 Flange**  
Colector entrada 12" - Brida DIN 2576
- Ⓒ **12" Outlet manifold - DIN 2576 Flange**  
Colector salida 12" - Brida DIN 2576



**AZUD**

SCALE  
S/E  
A4 FORMAT

AZUD LUXON LDB 9800/12

AZUD LUXON LDB 9800 M/12

RESPONS.: M. Martínez

REVISION: 01

UNITS: mm [in]

DATE: 13/04/2018