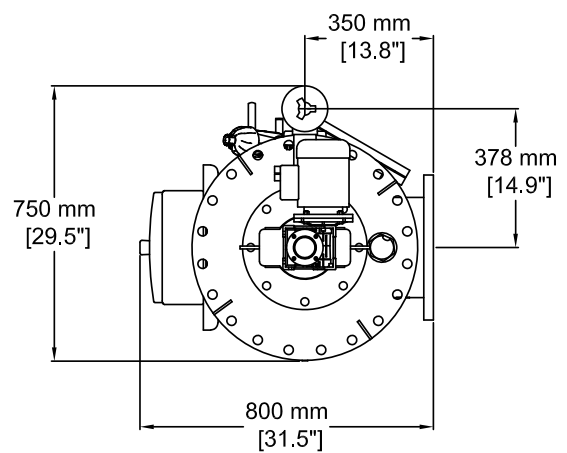


- Ⓐ **2" Drainage manifold**
Colector drenaje 2
- Ⓑ **10" Inlet manifold - DIN 2576 Flanged**
Colector entrada 10" - Brida DIN 2576
- Ⓒ **10" Outlet manifold - DIN 2576 Flanged**
Colector salida 10" - Brida DIN 2576



AZUD

SCALE
S/E
A4 FORMAT

AZUD LUXON LDB 7400/10

AZUD LUXON LDB 7400 M/10

RESPONS.: M. Martínez

REVISION: 05

UNITS: mm [in]

DATE: 13/04/2018