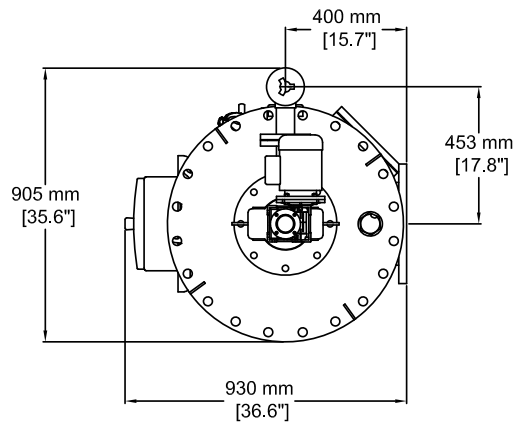


- (A) **2" Drainage manifold**  
Colector drenaje 2"
- (B) **10" Inlet manifold - DIN 2576 Flanged**  
Colector entrada 10" - Brida DIN 2576
- (C) **10" Outlet manifold - DIN 2576 Flanged**  
Colector salida 10" - Brida DIN 2576



**AZUD**

SCALE  
S/E  
A4 FORMAT

**AZUD LUXON LDB 21300 S/10**

RESPONS.: M. Martínez

REVISION: 04

UNITS: mm [in]

DATE: 08/06/2017