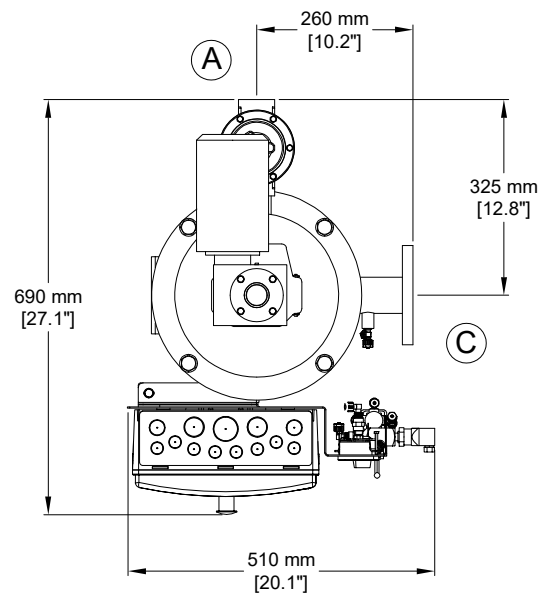


- (A) **1 1/2" Drainage manifold**  
Colector drenaje 1 1/2"
- (B) **2" Inlet manifold - DIN 2576 Flanged**  
Colector entrada 2" - Brida DIN 2576
- (C) **2" Outlet manifold - DIN 2576 Flanged**  
Colector salida 2" - Brida DIN 2576



**AZUD**

SCALE  
S/E  
A4 FORMAT

**AZUD LUXON LDB 1850 S/2**

RESPONS.: M. Martínez

REVISION: 05

UNITS: mm [in]

DATE: 07/10/2022

THE PRESENT REVISION CANCELS THE PREVIOUS ONES. THE PERSON RESPONSIBLE OF THIS DRAWING IS UNCONNECTED WITH THE HARMS PRODUCED FOR AN IMPROPER USE OF THE CANCELLED REVISIONS.  
LA PRESENTE REVISIÓN ANULA LAS ANTERIORES. EL RESPONSABLE DE ESTE PLANO ES AJENO A LOS PERJUICIOS OCASIONADOS POR EL USO INDEBIDO DE REVISIONES ANULADAS