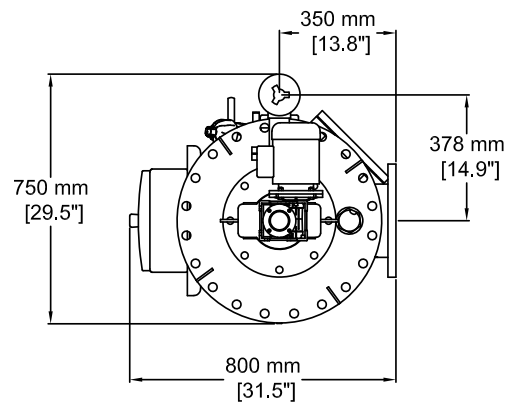


- Ⓐ **2" Drainage manifold**  
Colector drenaje 2"
- Ⓑ **8" Inlet manifold - DIN 2576 Flanged**  
Colector entrada 8" - Brida DIN 2576
- Ⓒ **8" Outlet manifold - DIN 2576 Flanged**  
Colector salida 8 - Brida DIN 2576



**AZUD**

SCALE  
S/E  
A4 FORMAT

AZUD LUXON LDB 12300/8

AZUD LUXON LDB 12300 M/8

RESPONS.: M. Martínez

REVISION: 05

UNITS: mm [in]

DATE: 13/04/2018