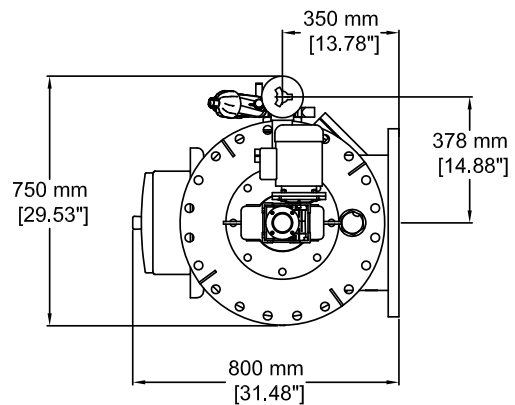


- Ⓐ **2" Drainage manifold**
Colector drenaje 2"
- Ⓑ **16" Inlet manifold - DIN 2576 Flanged**
Colector entrada 16" - Brida DIN 2576
- Ⓒ **16" Outlet manifold - DIN 2576 Flanged**
Colector salida 16" - Brida DIN 2576



AZUD

SCALE
S/E
A4 FORMAT

AZUD LUXON LDB 12300/16

AZUD LUXON LDB 12300 M/16

RESPONS.: M. Martínez

REVISION: 05

UNITS: mm [in]

DATE: 13/04/2018