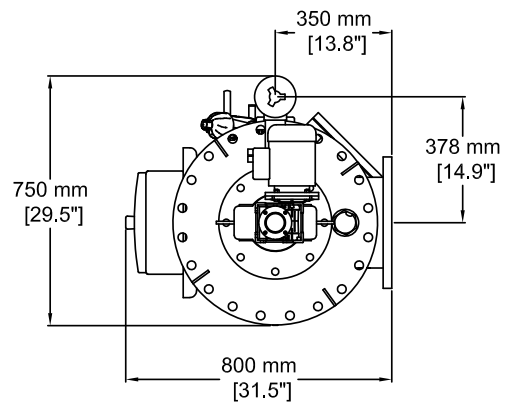


- Ⓐ **2" Drainage manifold**  
Colector drenaje 2"
- Ⓑ **10" Inlet manifold - DIN 2576 Flanged**  
Colector entrada 10" - Brida DIN 2576
- Ⓒ **10" Outlet manifold - DIN 2576 Flanged**  
Colector salida 10" - Brida DIN 2576



**AZUD**

SCALE  
S/E  
A4 FORMAT

AZUD LUXON LDB 12300/10

AZUD LUXON LDB 12300 M/10

RESPONS.: M. Martínez

REVISION: 05

UNITS: mm [in]

DATE: 13/04/2018