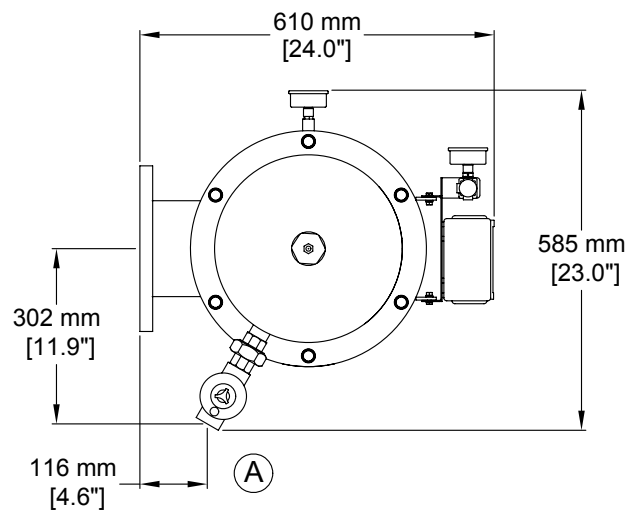


- (A) 1" Drainage manifold
Colector drenaje 1"
- (B) 6" Inlet manifold - DIN 2576 Flanged
Colector entrada 6" - Brida DIN 2576
- (C) 6" Outlet manifold - DIN 2576 Flanged
Colector salida 6" - Brida DIN 2576



AZUD

SCALE
S/E
A4 FORMAT

AZUD LUXON LCA 2400 M/6

RESPONS.: M. Martínez

REVISION: 03

UNITS: mm [in]

DATE: 05/06/2017