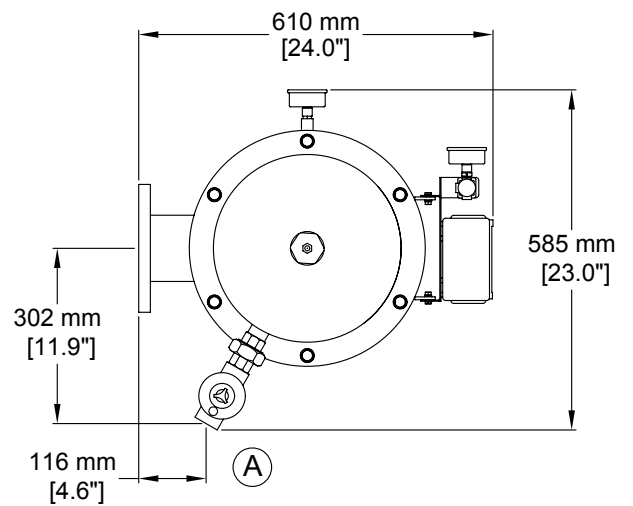


- (A) 1" Drainage manifold  
Colector drenaje 1"
- (B) 4" Inlet manifold - DIN 2576 Flanged  
Colector entrada 4" - Brida DIN 2576
- (C) 4" Outlet manifold - DIN 2576 Flanged  
Colector salida 4" - Brida DIN 2576



**AZUD**

SCALE  
S/E  
A4 FORMAT

AZUD LUXON LCA 2400 M/4

RESPONS.: M. Martínez

REVISION: 03

UNITS: mm [in]

DATE: 05/06/2017