

HR VALVES

METALLIC HYDRAULIC VALVE

A CAREFUL VALVE DESIGN, THE NATURE OF THE COMPONENTS USED IN THEIR MANUFACTURE PROCESS, ADDED TO OUR STRICT QUALITY CONTROL TECHNIQUES, ALLOWS US TO OFFER A WIDE RANGE OF RELIABLE AND HIGH QUALITY PRODUCTS

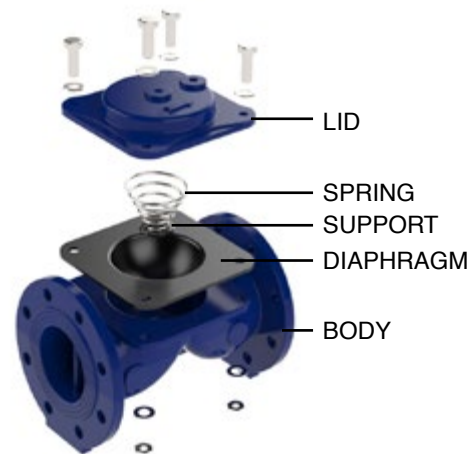
Connection type and diameter

- 1" to 3" thread
- 3" to 12" flange



MAIN FEATURES

- High resistance to operation and exposure conditions. Anti-corrosion epoxy-polyester coating.
- Chemical and mechanical resistant diaphragm with low opening pressure.
- Wide regulation range.
- Accurate and stable regulation.
- Low head loss.
- Easy maintenance.
- Bidirectional valve.



Sustaining hydraulic valve



Reducing hydraulic valve



Electrovalve



Sustaining electrovalve



Reducing electrovalve



Sustaining valve kit special for filtration equipment

Consult the corresponding technical datasheet to know the characteristics and components of each function/application.

HR VALVES

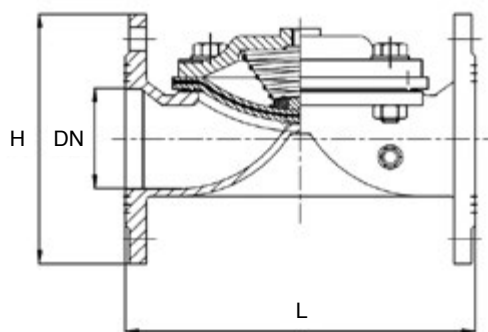
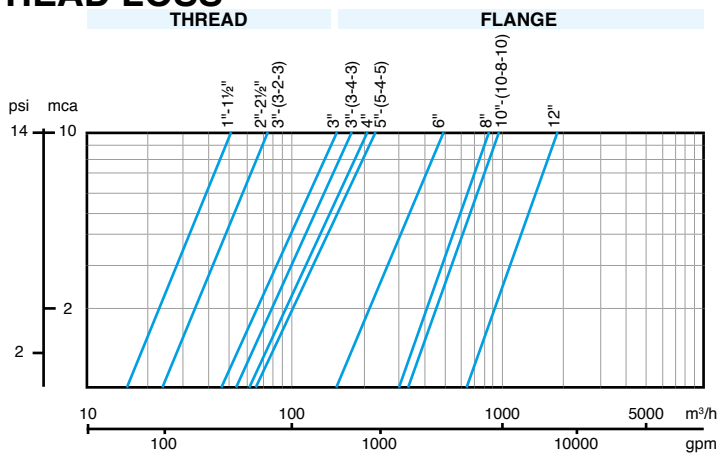
METALLIC HYDRAULIC VALVE

HYDRAULIC VALVE TECHNICAL SPECIFICATIONS

Connection	DN (mm)	DN (inch)	L (mm)	H (mm)	Operating flow range (m ³ /h)	Max. working pressure (bar)	Min. working pressure (kg/cm ²)	Connection standard*	N° of holes	Weight (kg)
Thread	25	1"	120	45	1 – 10	6 16	0.5 – 0.8 1.2 – 1.5	BSP	-	1.05
	40	1 ½"	170	65	2 – 33	6 16	0.5 – 0.8 1.2 – 1.5	BSP	-	2.3
	50	2"	186	75	2 – 42	6 16	0.5 – 0.8 1.2 – 1.5	BSP	-	3.1
	65	2 ½"	205	90	2.5 – 45	6 16	0.5 – 0.8 1.2 – 1.5	BSP	-	4
	80C	3" (3-2-3)	210	113	5 – 48	6 16	0.5 – 0.8 1.2 – 1.5	BSP	-	5.3
	80A	3"	240	105	5 – 110	6 16	0.5 – 0.8 1.2 – 1.5	BSP	-	7.2
Flange	80A	3"	250	203	5 – 110	6 16	0.5 – 0.8 1.2 – 1.5	PN10 PN16	8	11.2
	80D	3" (3-4-3)	280	203	5 – 130	6 16	0.5 – 0.8 1.2 – 1.5	PN10 PN16	8	13.8
	100	4"	305	223	10 – 150	6 16	0.5 – 0.8 1.2 – 1.5	PN10 PN16	8	15.5
	125C	5" (5-4-5)	330	250	10 – 160	6 16	0.5 – 0.8 1.2 – 1.5	PN10 PN16	8	21
	150	6"	390	282	15 – 330	6 16	0.8 – 1 1.5 – 1.8	PN10 PN16	8	41
	200	8"	475	343	20 – 590	6 16	0.8 – 1 1.5 – 1.8	PN10 PN16	8 12	68
	250C	10" (10-8-10)	505	405	20 – 680	6 16	0.8 – 1 1.5 – 1.8	PN10 PN16	8 12	88
	300	12"	584	460	25 – 1400	6	1 – 1.2 1.5 – 1.8	PN16	12	120

*Flange connection Standard DIN2576 (PN10) compatible with DIN2502 (PN16) for up to 6" models included.

HEAD LOSS



MATERIALS OF CONSTRUCTION

Body and lid	Thread models	Cast iron (GG25)	Epoxy-polyester coating
	Flange models	Ductile iron (GGG50)	
Diaphragm (membrane)	Rubber reinforced with nylon		
Spring	Stainless steel 302		
Support	Nylon		